

**Remark:**

1. Luoyang JCB Bearing Technology Co., Ltd is a technical Inc, specialize in designing and manufacturing slewing ring bearing, we can design and manufacture all kinds of slewing bearing according to client's requirement.
2. This drawing is reference for user, if you need formal drawing, please contact with us [sales@jcb-bearing.com](mailto:sales@jcb-bearing.com), the official drawing will be submitted after order confirmation.

**Contact information**

Company Address : No. 285, Fenghua road, Luoyang, Henan, China.

Postal code : 471000

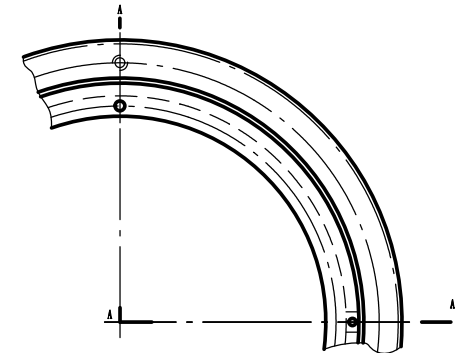
Phone : 86-379-68611678 Fax : 86-379-68611679

E-mail: [sales@jcb-bearing.com](mailto:sales@jcb-bearing.com)

Reserved E-mail: [sales@slewing-ring-bearings.com](mailto:sales@slewing-ring-bearings.com)

Website: [www.jcb-bearing.com](http://www.jcb-bearing.com)

[www.slewing-ring-bearings.com](http://www.slewing-ring-bearings.com)



Standard series KD 210	231. 21. 1075. 013		
	weight(kg)		
	S		
Luoyang JCB Bearing Technology Co., Ltd			